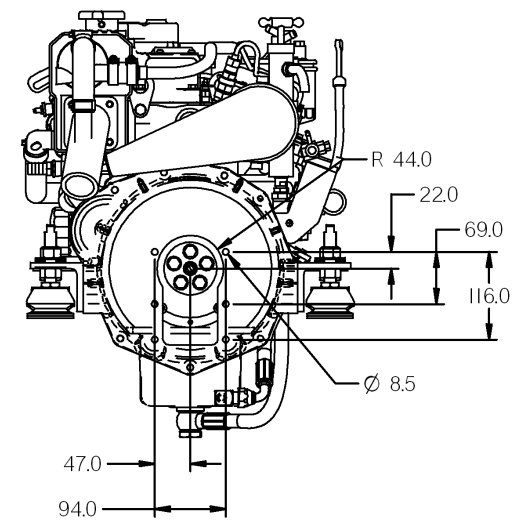
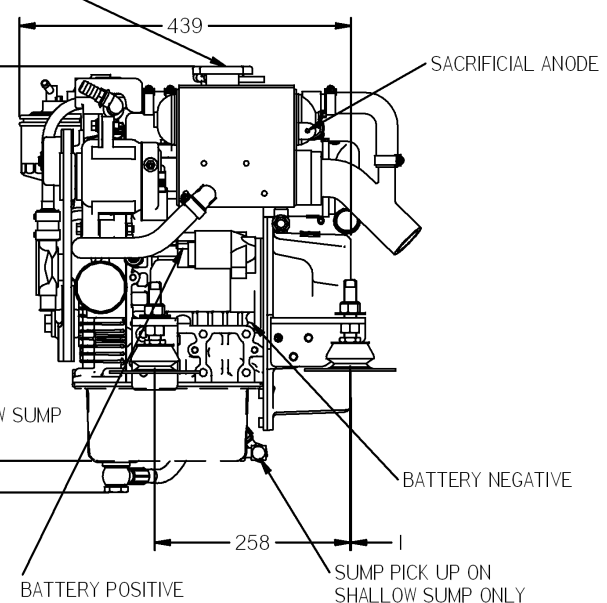
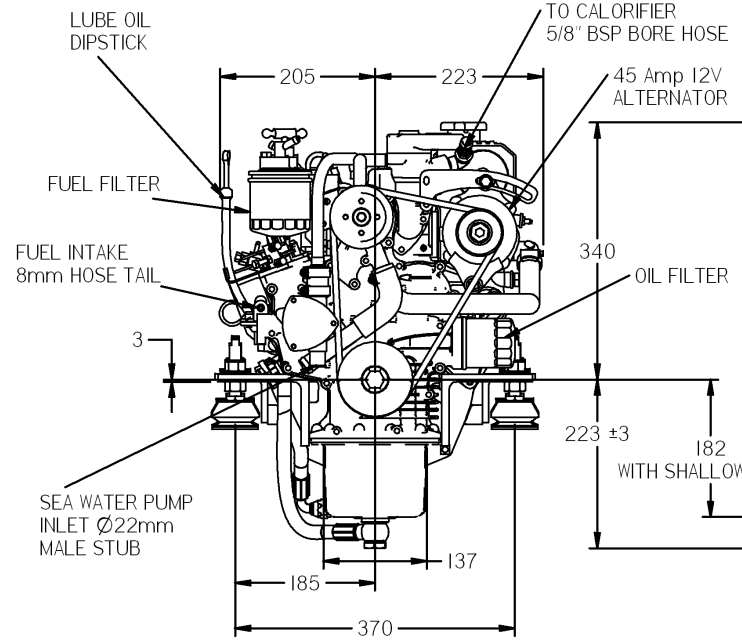
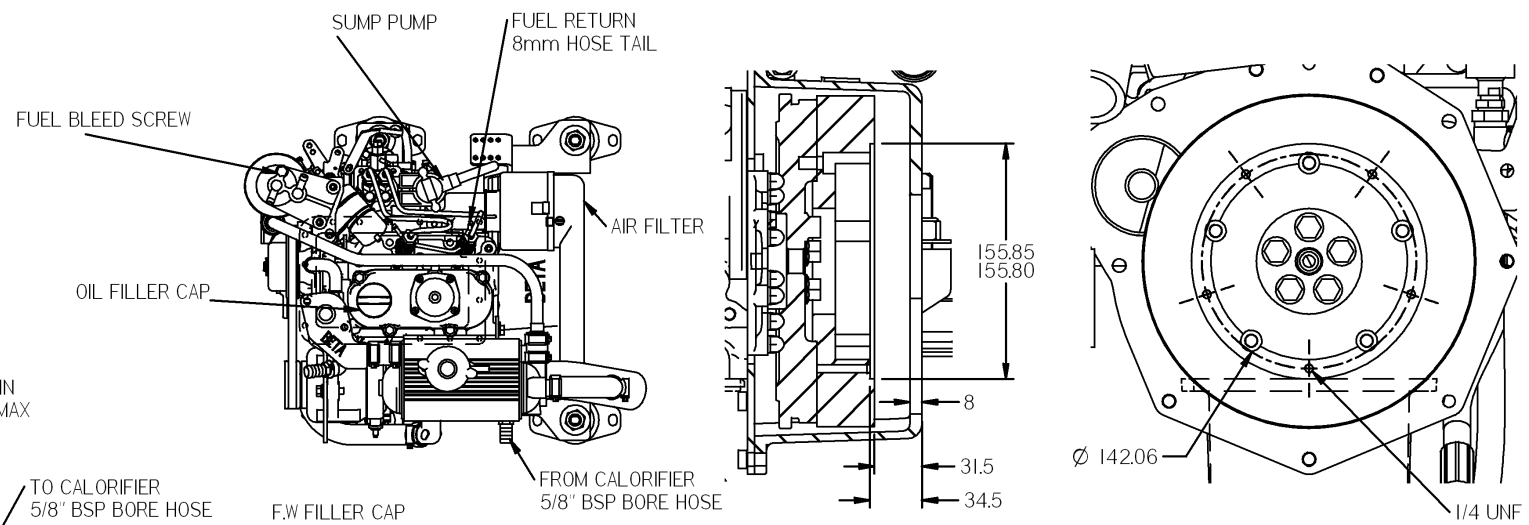
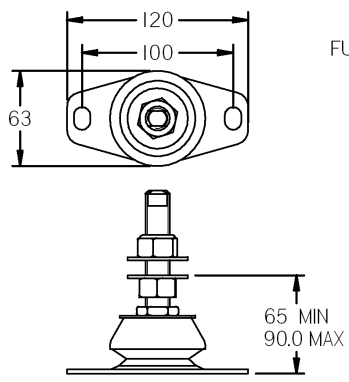


FLEXIBLE MOUNT DETAILS



REV	DESCRIPTION	DATE	APP'D	DRAWN	NOTES
01					

DIMENSIONS IN MM (INCH)
 DO NOT SCALE

BETA MARINE
 BETA MARINE LTD,
 DAVY WAY,
 WATERWELLS,
 QUEDGELEY,
 GLOUCESTER. GL2 2AD, UK
 TEL: (01452) 723492 FAX: (01452) 729916

PART FILE NAME: 100-08480 BZ602 HE BOB TAIL.asm

TITLE: **BETA 16 HEAT EXCHANGE BOB TAIL**

DRAWN BY: **TW** SIZE: **A4** DWG NO: **100-08480** REV: **00**
 CHECKED BY: **LT** SCALE: **NTS** PAGE: **1 of 1** DATE: **30/09/2008**