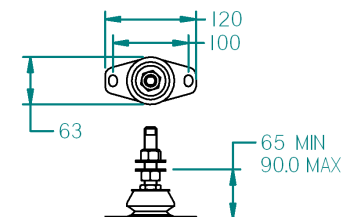
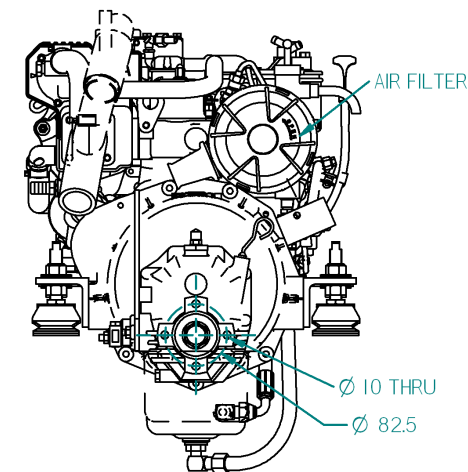
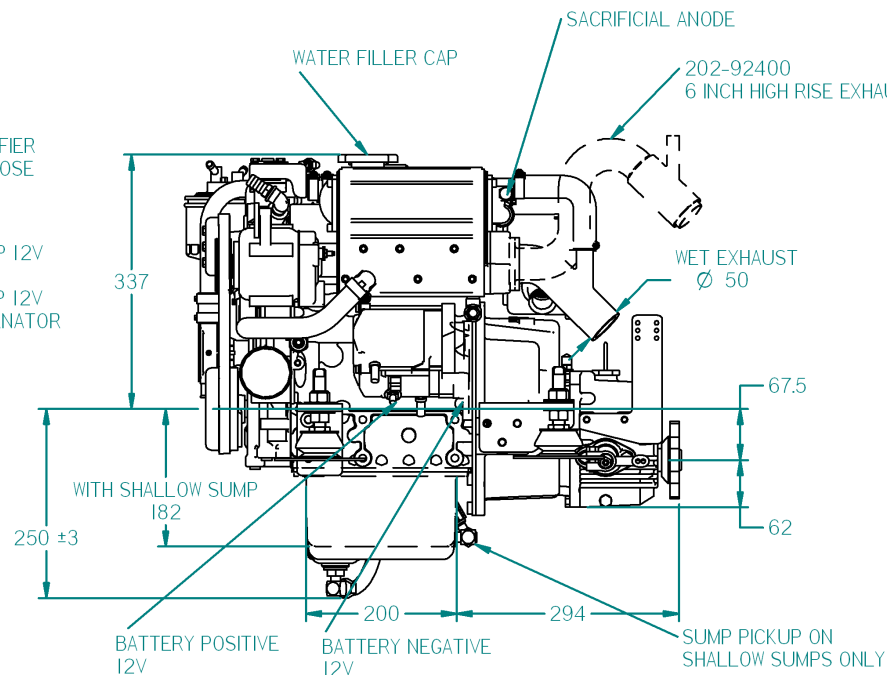
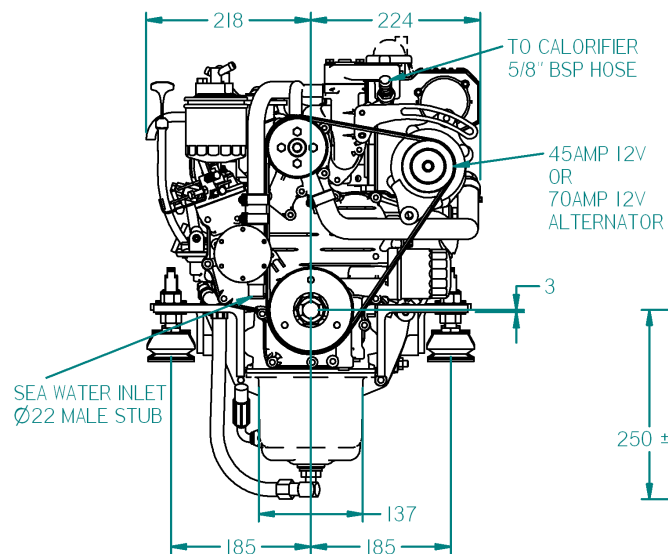
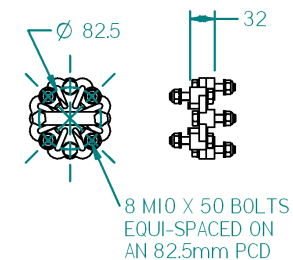


FLEXIBLE MOUNT DETAILS



FLEXIBLE COUPLING DETAILS



REV	DESCRIPTION	DATE	APP'D	DRAWN	NOTES	TITLE:
01						BD722 HEAT EXCHANGE TMC40 GEARBOX
DIMENSIONS IN MM (INCH) DO NOT SCALE						PART FILE NAME: 100-99610 04 BD722 HE TMC40.asm
						DRAWN BY: TW CHECKED BY: LT
BETA MARINE LTD. DAVY WAY, WATERWELLS, QUEDGELEY, GLOUCESTER. GL2 2AD, UK TEL: (01452) 723492 FAX: (01452) 729916						SIZE: A4 DWG NO: 100-99610 SCALE: NTS PAGE: 1 of 1 DATE: 17/01/2011
						REV: 04