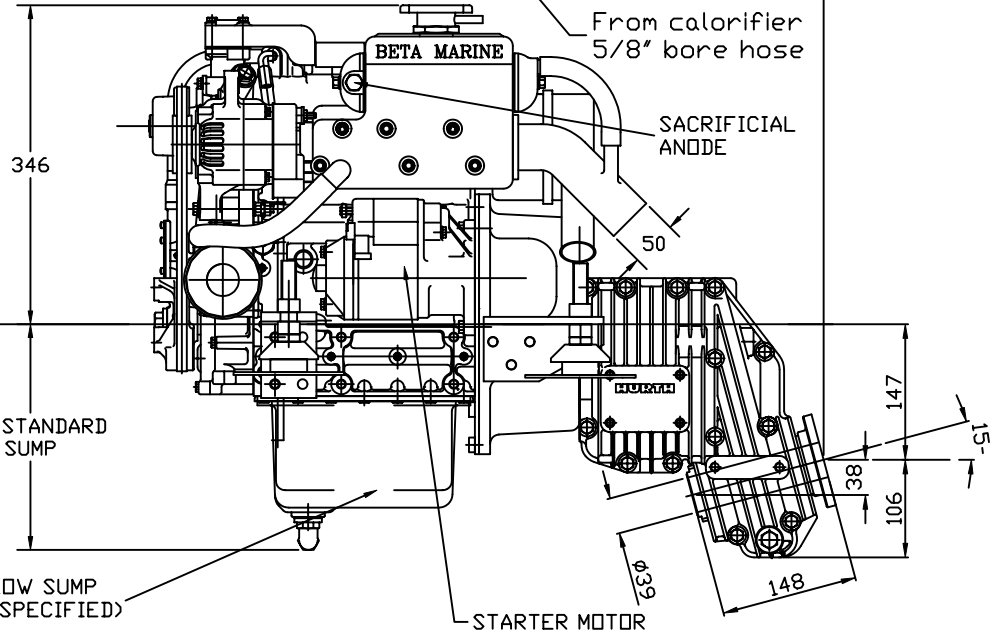
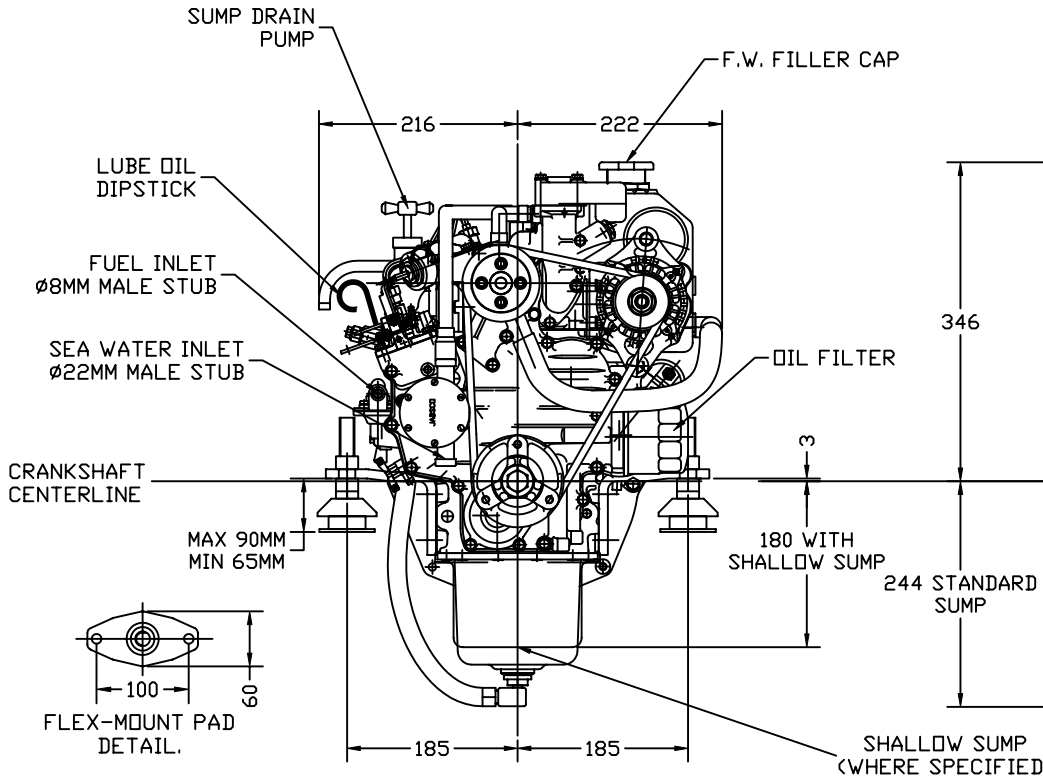
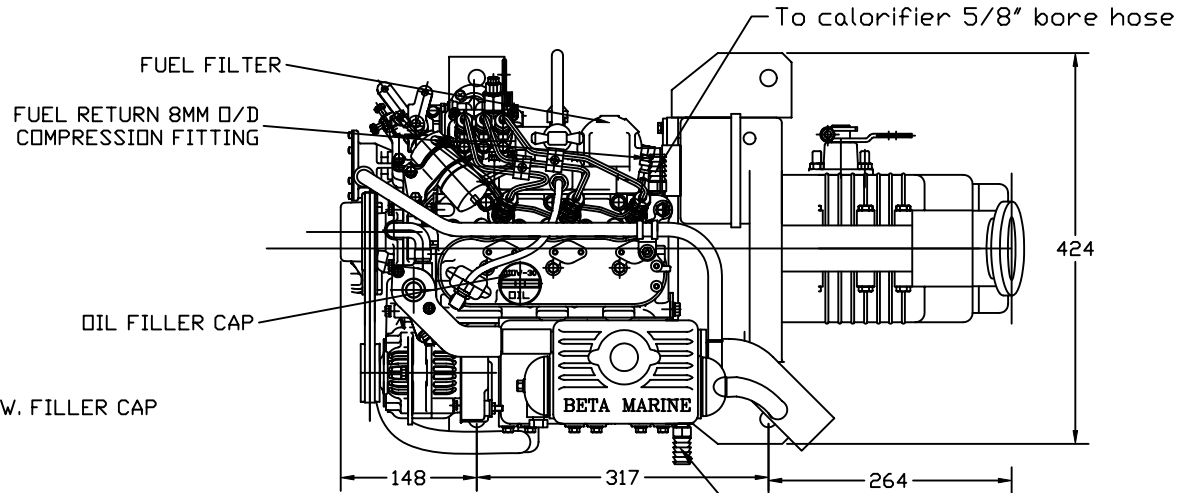
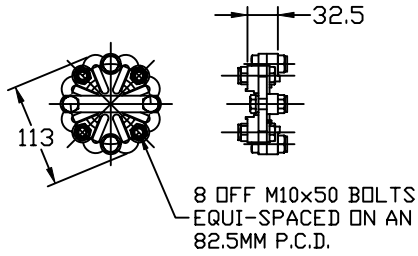


DETAIL OF FLEXIBLE COUPLING



REV	DESCRIPTION	DATE	APP'D	DRAWN	NOTES
01					

TITLE
BD722 HEAT EXCHANGE WITH
A ZF15MIV (HBW150V) GEARBOX

DIMENSIONS IN MM (INCH) DO NOT SCALE

BETA MARINE
TEL +44 (0)1452 723492 FAX +44 (0)1452 883742

BETA MARINE LTD.
DAVY WAY, WATERWELLS,
QUEDGELEY, GLOUCESTER
GL2 2AD UK

DRAWN BY:- TW
CHECKED BY:- LT

SIZE A4	DWG NO. 100-06487	REV
SCALE NTS	PAGE 1 of 1	DATE 03/05/05