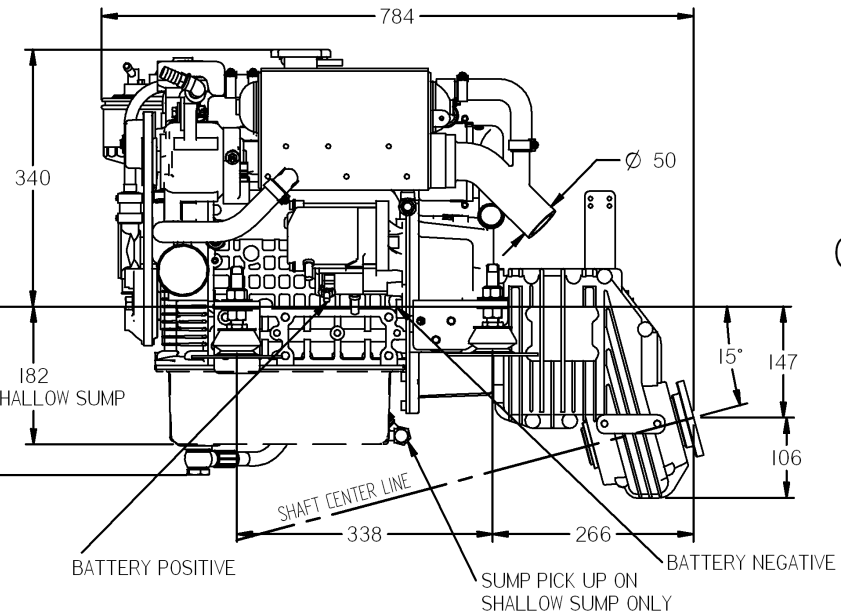
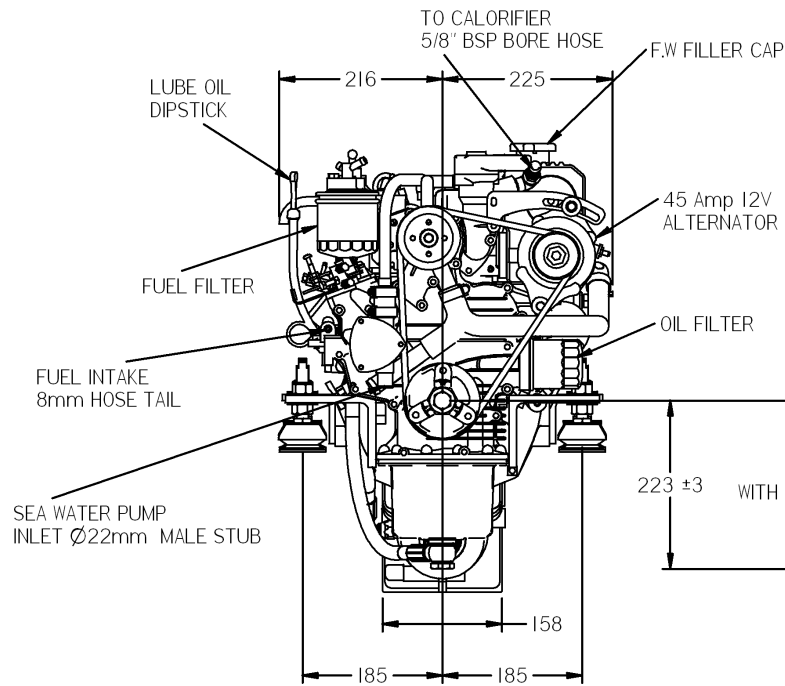
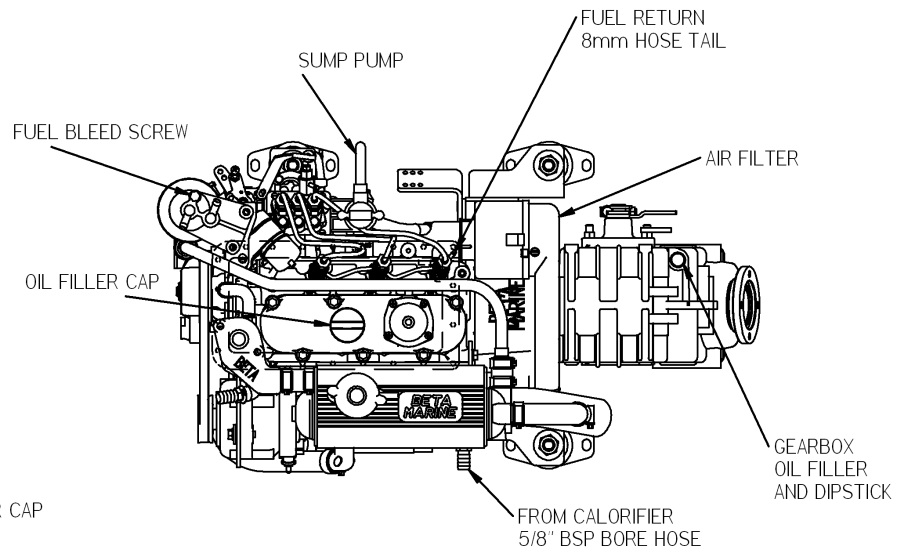
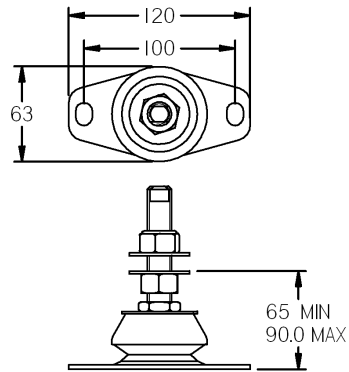
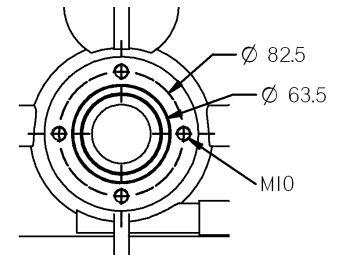


FLEXIBLE MOUNT DETAILS



GEARBOX OUTPUT



REV	DESCRIPTION	DATE	APP'D	DRAWN
01				

NOTES  
 NO FLEXIBLE COUPLING SUPPLIED  
 SUGGEST CENTER TYPE 16

TITLE:  
**BETA 25 HEAT EXCHANGE  
 ZF15MIV GEARBOX**

DIMENSIONS IN MM (INCH)  
 DO NOT SCALE



BETA MARINE LTD,  
 DAVY WAY,  
 WATERWELLS,  
 QUEDGELEY,  
 GLOUCESTER. GL2 2AD, UK

DRAWN BY: TW	SIZE: A4	DWG NO: 100-08483	REV: 00
CHECKED BY: LT	SCALE: NTS	PAGE: 1 of 1	DATE: 04/10/2008

TEL: (01452) 723492 FAX: (01452) 729916