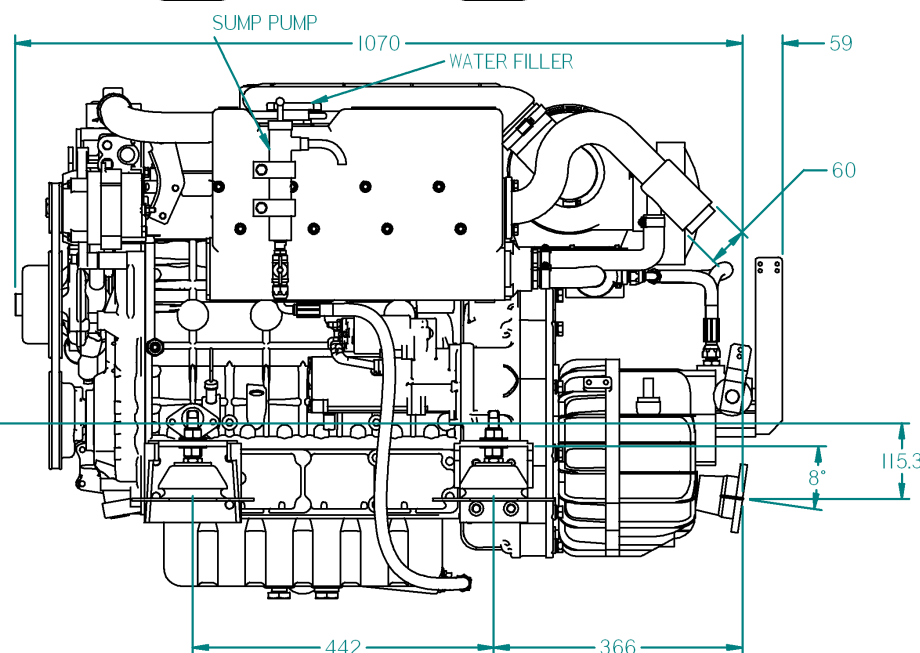
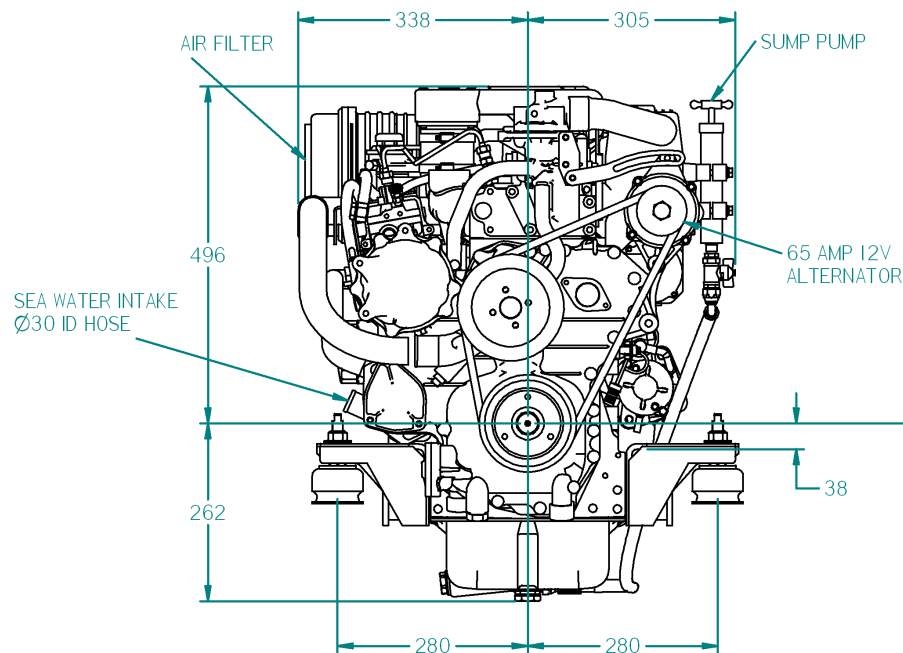
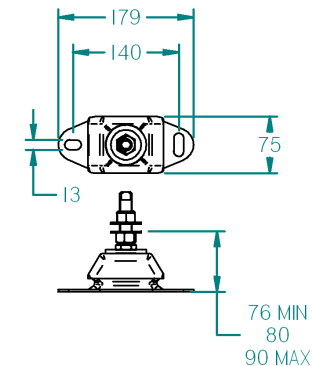


FLEXIBLE MOUNT



REV	DESCRIPTION	DATE	APP'D	DRAWN	NOTES
01					
03	NEW AIR CLEANER	17/09/09	LT	TW	

TITLE:  
**BETA 75 HEAT EXCHANGE  
 ZF25A GEARBOX**

DIMENSIONS IN MM (INCH)  
 DO NOT SCALE

**BETA MARINE**

BETA MARINE LTD.  
 DAVY WAY,  
 WATERWELLS,  
 QUEDGELEY,  
 GLOUCESTER. GL2 2AD, UK

TEL: (01452) 723492 FAX: (01452) 729916

PART FILE NAME: BV3300 HE ZF25A.asm	DRAWN BY: <b>TW</b>	SIZE: <b>A4</b>	DWG NO: <b>100-05335</b>	REV: <b>03</b>
	CHECKED BY: <b>LT</b>	SCALE: <b>NTS</b>	PAGE: <b>1 of 1</b>	DATE: <b>17/09/2009</b>