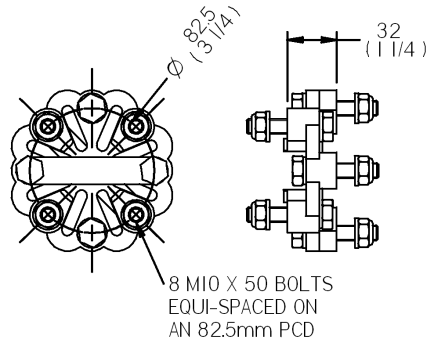
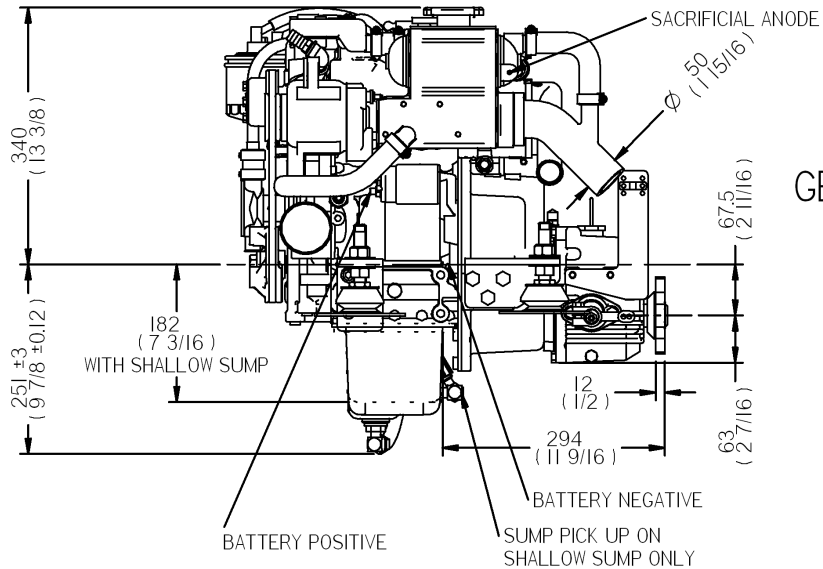
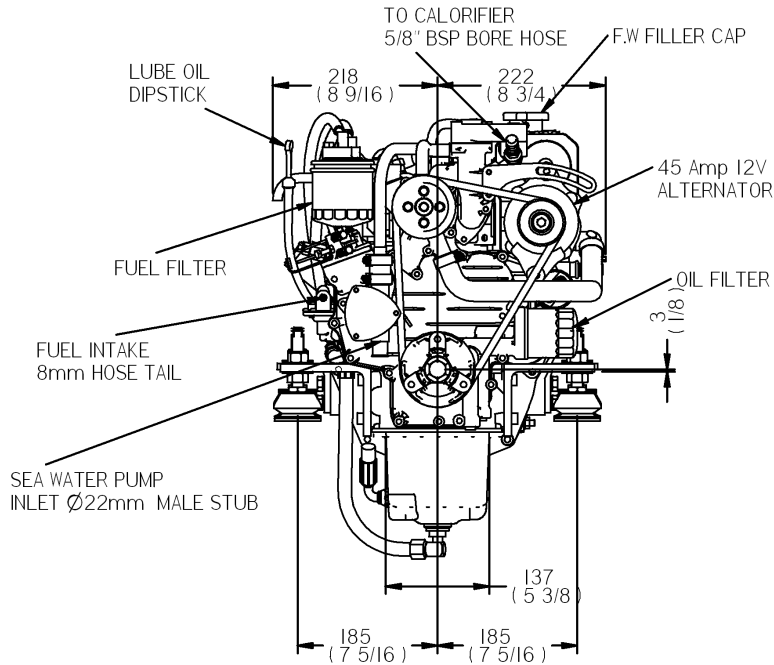
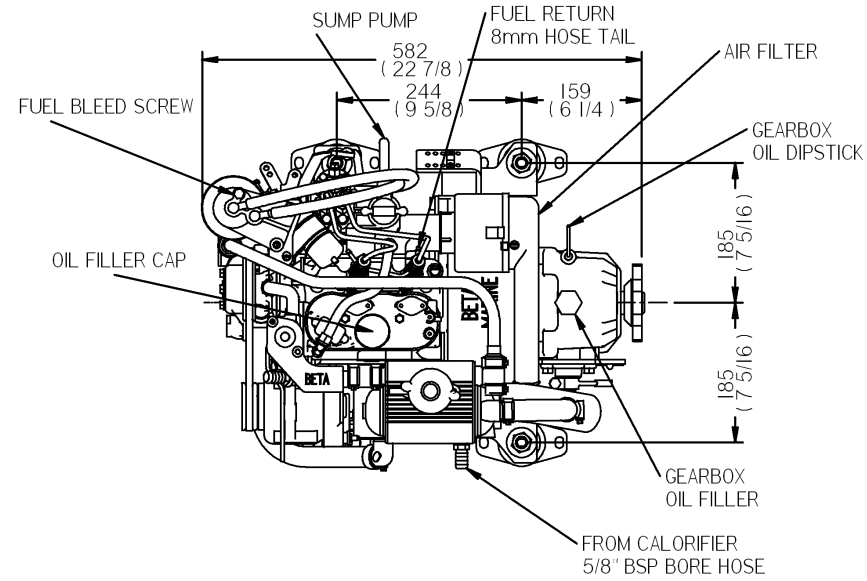
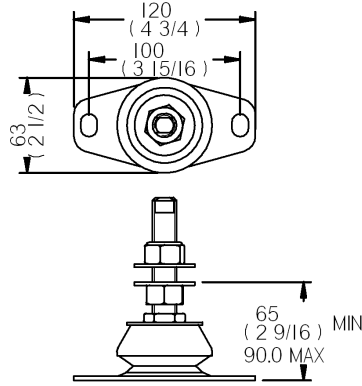


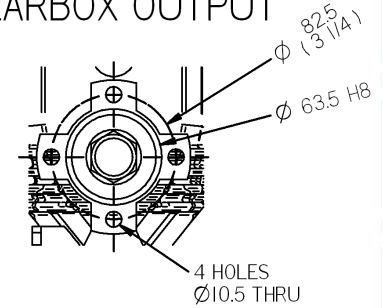
FLEXIBLE COUPLING DETAILS



FLEXIBLE MOUNT DETAILS



GEARBOX OUTPUT



REV	DESCRIPTION	DATE	APP'D	DRAWN	NOTES
01	NEW TITLE BLOCK	15-01-04	LT	TW	
02	BATTERY CONNECTIONS AND WASTING ANODE	11-10-04	LT	TW	
03	FUEL FILTER, HVE TANK AND AIR FILTER	25-07-05	LT	TW	
04	CALORIFIERS AND TIER2 CLOSED BREATHER	20/12/05		TW	
DIMENSIONS IN MM (INCH) DO NOT SCALE					
BETA MARINE LTD. MERRETTS MILLS, BATH ROAD, SOUTH WOODCHESTER, STROUD, GLOS. GL5 5EU TEL: (01453) 835282 FAX: (01453) 835284					

TITLE		BZ482 HEAT EXCHANGE TMC40 GEARBOX			
DRAWN BY:	timw	SIZE	DWG NO.		REV
		A4	100-06019		04
CHECKED BY:		SCALE	NTS	PAGE	DATE
				1 of 1	12/08/2009